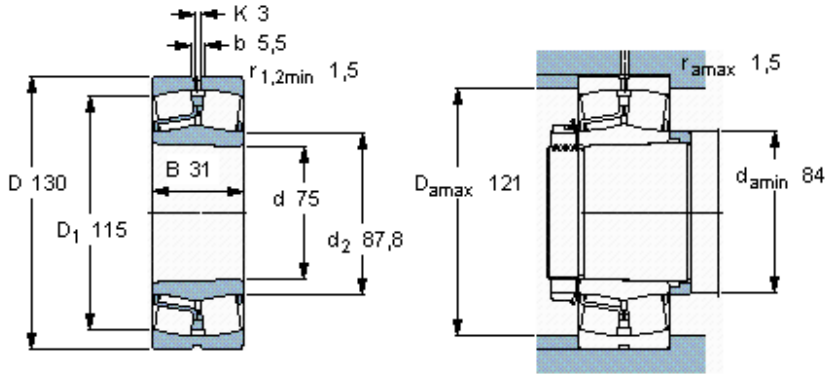


Spherical roller bearings, cylindrical and tapered bore

Principal dimensions			Basic load ratings		Speed ratings		Designation
d	D	B	dynamic C	static C0	Reference speed	Limiting speed	* SKF Explorer bearing
mm			kN		r/min		
75	130	31	217	240	4800	6300	22215 EK *



Tapered bore, taper
1: 12

Calculation factors

- e 0,22
- Y_1 3
- Y_2 4,6
- Y_0 2,8